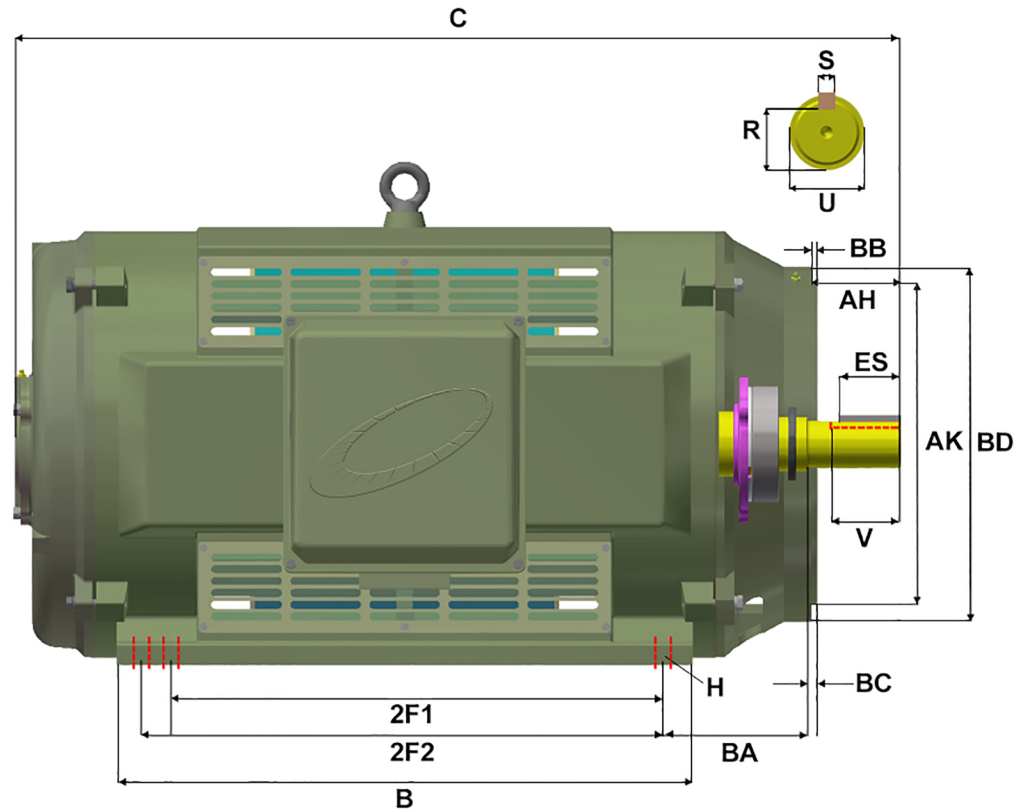
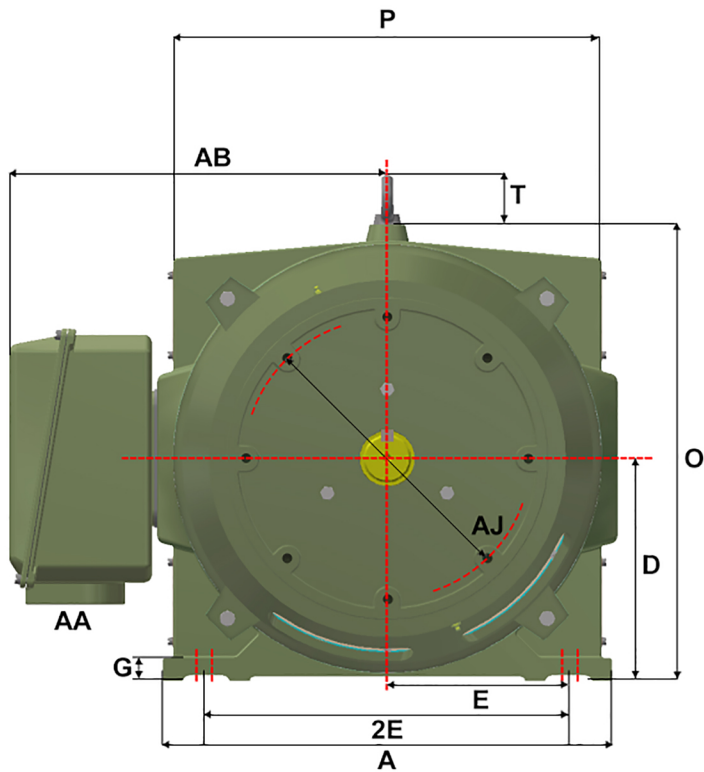




MaxMotion



Version: 2WTI		Revised: 08-10-2019		HP	RPM	FRAME	ENCLOSURE	MPOP/MQOP-82C									
Customer is responsible in determining that Max Motion product will fit/perform suitably in the intended application								125	1800	405T	ODP						
A	B	C	D	E	2E	2F1	2F2	G	H	O	P	R	S				
19.10	17.00	30.30	10.00	8.00	16.00	12.25	13.75	1.15	6 X 0.81	21.00	20.25	2.450	0.750				
T	U	V	AA	AB	AH	AJ	AK	BA	BB	BC	BD	ES					
2.60	2.875	7.25	3.00	14.50	7.00	11.00	12.50	6.62	0.25	0.25	15.50	5.65					